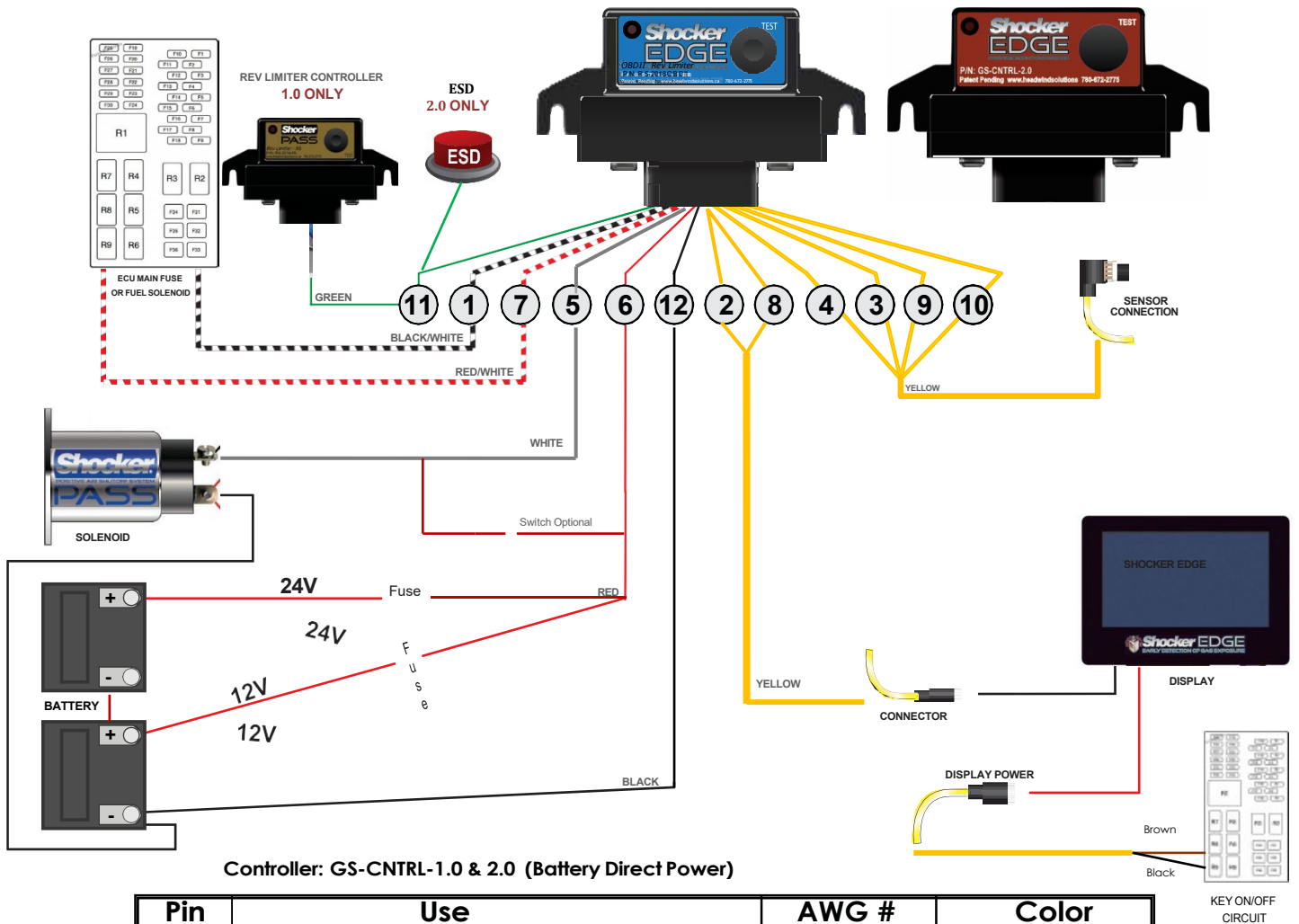


# Wiring Diagram

## G5-CNTRL-1.0 (blue label) or 2.0 (copper label)



Pin	Use	AWG #	Color
1	Engine Shutdown NC (common)	12	Black/White
2	Display CAT Cable		Yellow
3	Rx Sensor CAT Cable		Yellow
4	Tx Sensor CAT Cable		Yellow
5	Hold Output	12	White
6	Battery Positive	12	Red
7	Engine Shutdown NC	12	Red/White
8	Display CAT Cable		Yellow
9	Sensor Ground CAT Cable		Yellow
10	Sensor Power CAT Cable		Yellow
11	Optional 1.0 & 2.0 Controller	16	Green
12	Battery Negative	12	Black

Display: GS-DSPLY (Key On/Off Power)

Power	Brown
Ground	Black
Not Used	Blue

**IMPROPER GROUNDING OR REMOVAL OF CONNECTORS CAN CAUSE DAMAGE TO COMPONENTS, VOIDING WARRANTY**

Headwind Solutions warrants the components of this device for a period of one (1) year from the date of purchase. The customer is responsible for the correct installation, setup and testing of the product, including: a) the location of all components; b) correct wiring connections and wire gauge; c) correct setup and testing of the installed product. This warranty is void if the product is incorrectly installed, set up or tested.